

针阀 Needle valve



NV SERIES

- ▲ 不可旋转球
- ▲ 用PTFE填料
- ▲ 压力可达到10000Psi (689bar)
- ▲ 最高温度达1200° F (648° C) 在石墨填料下

- ▲ Non-rotating ball-nose
- ▲ With packing PTFE
- ▲ Pressures to 10000psi(689 bar)
- ▲ Max.temp.1200° F(648° C)with packing grafoil.

SS - 6 NV F 8 - M 8

材料代号MATERIAL
SS:不锈钢 Stainless steel
CS:碳钢 Carbon steel

标准孔径ORIFICE DIAMETER
3:Orifice 4.5mm
6:Orifice 5.5mm
12:Orifice 9.0mm

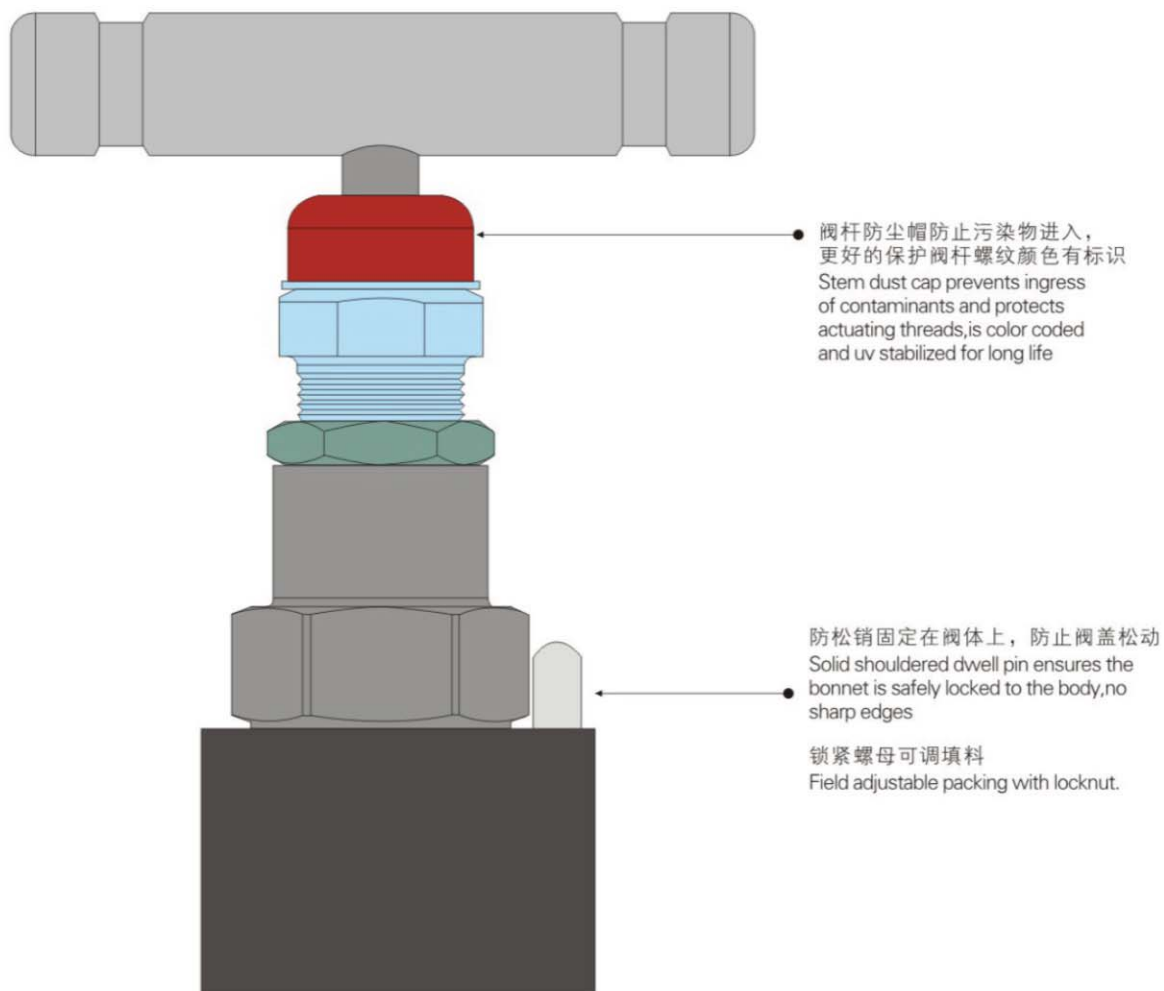
类型代号STRUCTURE TYPE
NV:针阀needle vavle
V-V型阀座pattern stem

连接方式INSTRUMENT/OUTLET CONNECTION TYPE
F=内螺纹female
s=承插焊socket weld

连接尺寸PROCESS CONNECTION SIZE
4=1/4"NPT Tube diameter: Φ6mm
6=3/8"NPT Φ8mm
8=1/2"NPT Φ10mm
10=3/4"NPT Φ12mm
12=1"NPT Φ14mm

连接方式INSTRUMENT/OUTLET CONNECTION TYPE
M=外螺纹Male

连接尺寸PROCESS CONNECTION SIZE
4=1/4"NPT
6=3/8"NPT
8=1/2"NPT
10=3/4"NPT
12=1"NPT

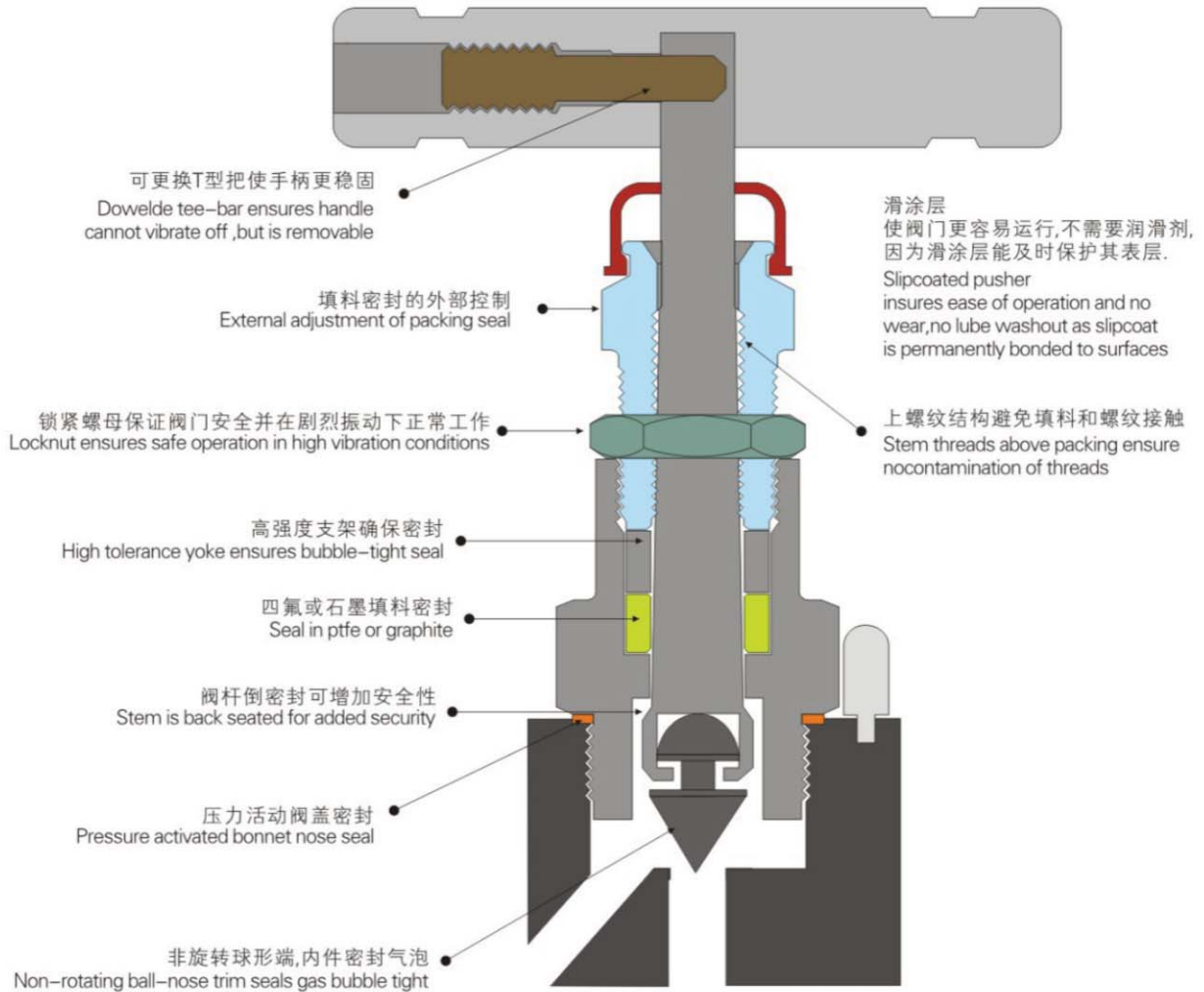


独立阀盖，平行安装阀盖或锁紧手柄可供选择
Union bonnet, panel mount bonnet or lock-able handle optional

阀杆与填料接触处经抛光处理保证良好的密封性并增加使用寿命
Shaft polished at packing interface to ensure long life and bubble tight seal

纯石墨密封可保证阀门在高温运作下，阀门性能跟使用PTFE填料的阀门一样
Pure graphite is used to ensure that the operation of the high temperature valve performs equally as well as the PTFE packed valve

NPT螺纹依据ANSI B1.20.1标准确保良好通用性跟互换性
Sharp, full profile NPT threads conforming to ANSI B1.20.1 ensure ease of make up, reduce chance of thread galling



不可旋转球端内件连接于阀座,而非通过阀杆密封,不起泡密封适用于所有的设备,阀座密封和轴密封
A non-rotating ball-nose trim articulates at the seat, not through the stem seal, ensuring a bubble-tight seal for all applications at the trim/seat and shaft/seal interfaces.

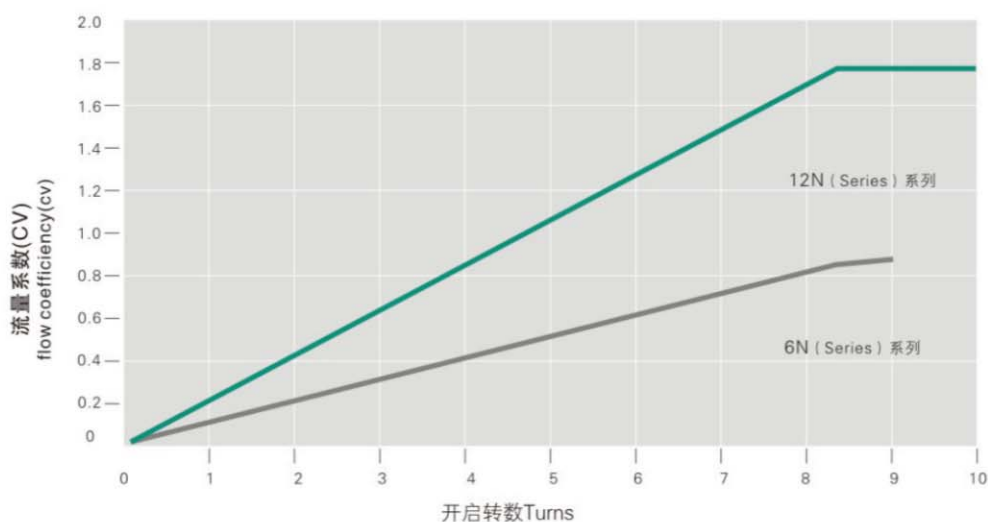
可供客户选择的材质包括SS316, SS316L到NACE MR-01-75, 蒙乃尔, 哈氏合金C276或碳钢
Material of construction is client selectable and includes 316, 316L to NACE MR-01-75, monel 400, hastelloy C276 or carbon steel.

SS316T型手柄确保低扭矩运行
Full size tee-bar handle in 316 ensures low torque operation and is available in tamper-proof or lockable variants.

▲设计特性 Design features

- ★紧凑而轻便 Compact and lightweight.
- ★二段式阀杆阀尖为17-4PH 无回旋转设计，从而实现快捷密封且延长使用寿命 2 piece non-rotating hardened(17-4ph)tips for fast seal and long service life.
- ★螺纹下的密封填料可以防止螺纹被介质锁腐蚀 Packing seal below actuating threads to prevent thread contamination by the process medium.
- ★温度范围-15℃~170℃ Temperature rating-15℃ to 170℃
- ★可更换填料延长阀门整体使用寿命 Fxexible packing for replacement can extend field life further.
- ★所有零部件材质都是可追溯的 Full material traceability of main components.
- ★100%气压测试 100% hydrostatic testing.
- ★倒密封阀杆可延长填料使用时间 Back sealing stem to extend packing life.

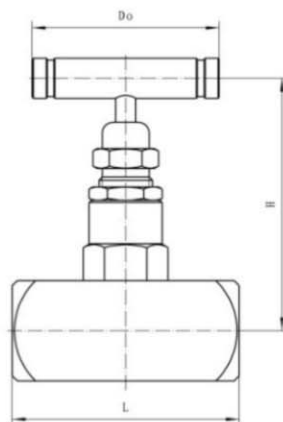
▲阀门流量系数图 Valve Flow Coefficiency Diagram



▲主要零件及材质表 Components Material

零件Part	阀体材质 BODY MATERIAL	
	SS 316	A105 CS
手柄 Handle	SS304	
锁紧螺丝 Lock screw	SS304	
帽 Cap		
填料压盖螺栓 Gland bolt	SS316	A105
密封环 Gland ring	SS316	A105
包装座位 Packing seat	SS316	A105
包装 Packing	SS316	2Cr13
体垫片 Body gasket	弹性石墨 Flexible graphite/PTFE /碳纤维 Carbon fiber	
柄 Stem	SS316	SS304
柄 Stem	SS316	A105
双夹(螺母) Double clamp(nut)	SS316	2Cr13
润滑剂 Lubricant	SS316	MoS2

注：可根据用户要求确定材质。 Note: Material as per user's requirements

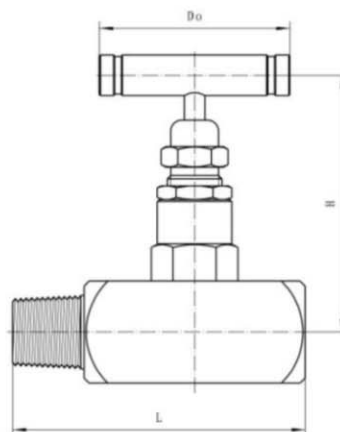


连接形式: Type of Connection:

内螺纹连接; 承插连接; female connection; The socket connection

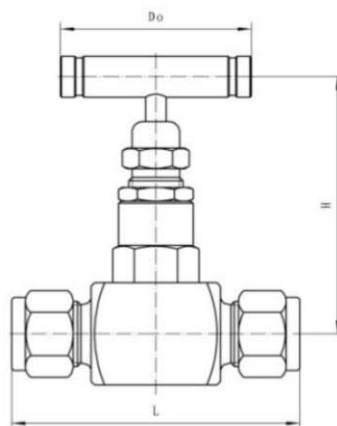
▲主要连接尺寸 General Dimensions

产品编号ITEM NO	接头尺寸JOINT SIZE	L	H	D0	重量(kg) Weight
SS-3NVF4	1/4"NPTF	57	65	57	0.4
SS-3NVF6	3/8"NPTF	57	65	57	0.4
SS-6NVF8	1/2"NPTF	68	78	63	0.5
SS-12NVF10	3/4"NPTF	80	95	80	1.0
SS-12NVF12	1"NPTF	90	100	90	1.4



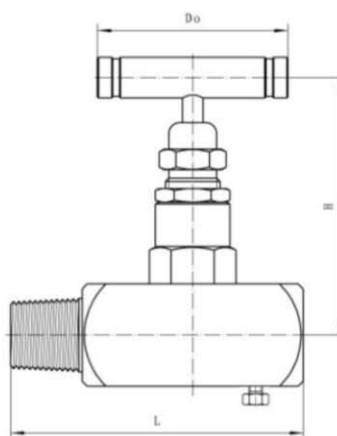
▲主要连接尺寸 General Dimensions

产品编号ITEM NO	接头尺寸JOINT SIZE	L	H	D0	重量(kg) Weight
SS-3NVM4-F4	1/4"NPTMXF	68	65	57	0.4
SS-3NVM6-F6	3/8"NPTMXF	68	65	57	0.4
SS-6NVM8-F8	1/2"NPTMXF	86	78	63	0.6



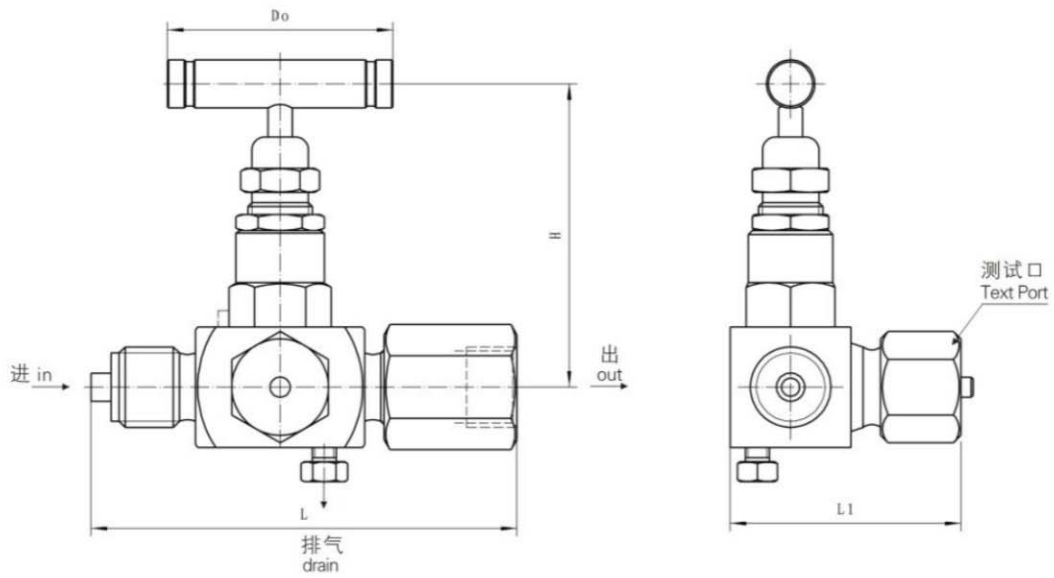
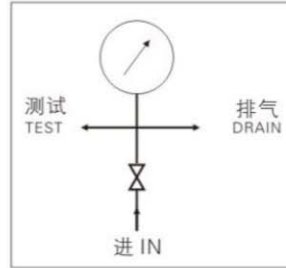
▲主要连接尺寸 General Dimensions

产品编号ITEM NO	接头尺寸JOINT SIZE	L	H	D0	重量(kg) Weight
SS-3NVS6	Φ6	76	65	57	0.45
SS-3NVS8	Φ8	76	65	57	0.45
SS-3NVS10	Φ10	78	65	57	0.45
SS-3NVS12	Φ12	78	65	57	0.5
SS-6NVS14	Φ14	92	78	63	0.6



▲主要连接尺寸 General Dimensions

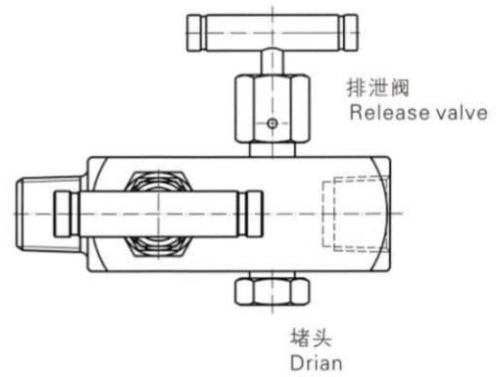
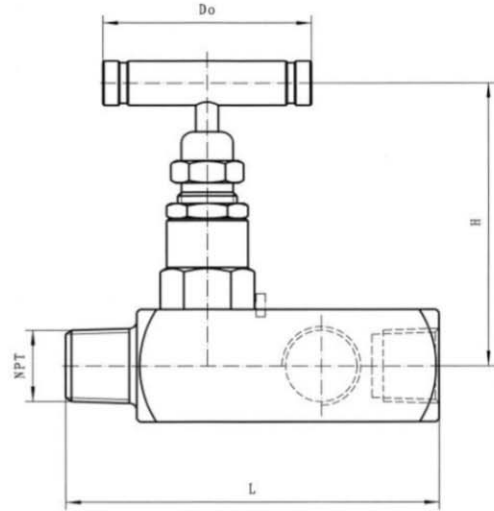
产品编号ITEM NO	接头尺寸JOINT SIZE	L	H	D0	重量(kg) Weight
SS-3NVM4-F4-D	1/4"NPTMXF	68	65	57	0.4
SS-3NVM6-F6-D	3/8"NPTMXF	68	65	57	0.4
SS-6NVM8-F8-D	1/2"NPTMXF	86	78	63	0.6



▲主要连接尺寸 General Dimensions

产品编号ITEM NO	进口端 In	出口端 Out	L	L1	H	D0	重量(kg) Weight
SS-6NVGF8-M8	G1/2"A	G1/2"	106	58	78	63	0.65

压力表端口
Note:G:GAVGE PORT



▲主要连接尺寸 General Dimensions

产品编号ITEM NO	进口端 In	出口端 Out	L	H	D0	重量(kg) Weight
SS-6NVGM8-F8	1/2"NPT	3-1/2"NPT	92~142	78	63	

压力表端口
Note:G:GAVGE PORT